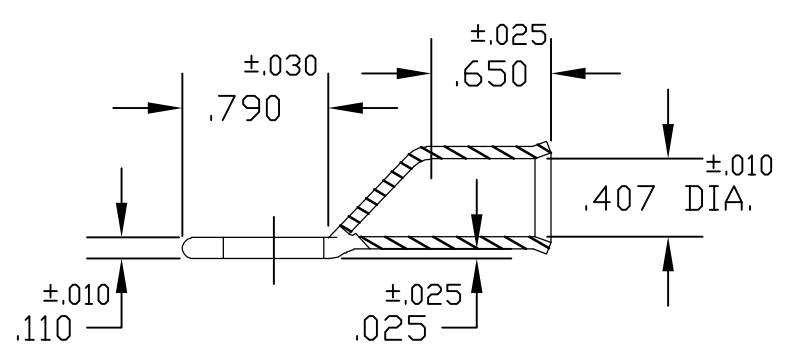
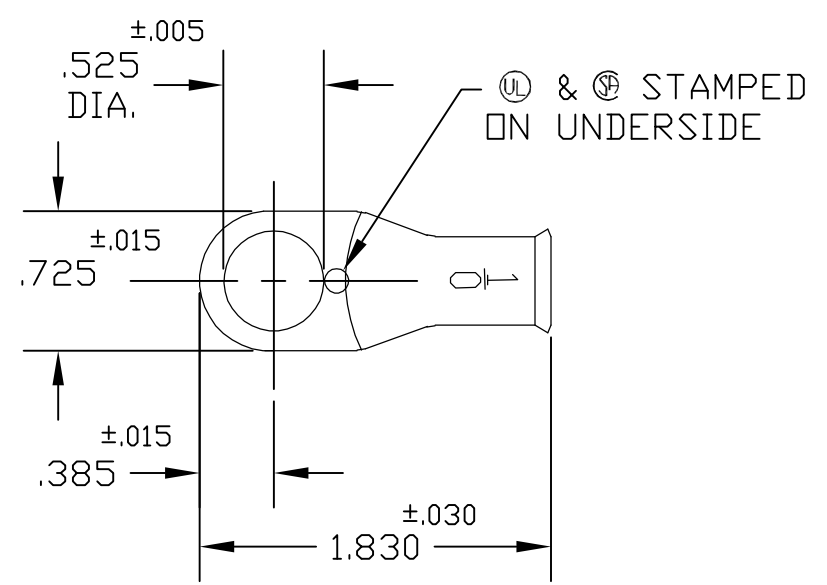


THIS DRAWING IS UNPUBLISHED. RELEASED FOR PUBLICATION
 © COPYRIGHT BY TYCO ELECTRONICS CORPORATION. ALL RIGHTS RESERVED.

LOC	DIST	REVISIONS					
		P	LTR	DESCRIPTION	DATE	DWN	APVD
G	50		A1	REVISED PER ECR-06-010858	09MAY06	HMR	JR



ACTIVE	10501-01	STANDARD	TIN PLATE	1526713-2
ACTIVE	10501-00	STANDARD	PLAIN	1526713-1
STATUS	AET P/N	PACKAGING	FINISH	PART NUMBER

THIS DRAWING IS A CONTROLLED DOCUMENT.		DWN D.A.A	9/21/00	Tyco Electronics Corporation Harrisburg, PA 17105-3608					
DIMENSIONS: INCHES		CHK H.D.F	9/21/00			NAME 1/0 STANDARD TERMINAL			
		APVD H.D.F	9/21/00						
TOLERANCES UNLESS OTHERWISE SPECIFIED: 0 PLC ± - 1 PLC ± - 2 PLC ± - 3 PLC ± - 4 PLC ± - ANGLES ± -		PRODUCT SPEC	-	SIZE	CAGE CODE	DRAWING NO	RESTRICTED TO		
MATERIAL COPPER ASTM B-152		FINISH	-	WEIGHT	-	A3 00779	©-1526713	-	
CUSTOMER DRAWING				SCALE	1:1	SHEET	1 OF 1	REV	A1